



# A1 Series Application Sheet

Company Type: **Valve Manufacture**  
Market: **Fabrication Metal Product**  
Application Category: **Monitoring**  
Model Number: **A109LMA025IA1, A109LMA100IA1 and A109LMA200IA2**

## ADVANTAGES OF USING FLOMEC® METERS

- COST SAVINGS
- ACCURACY
- DIGITAL READOUT
- COMPACT SIZE

### APPLICATION:

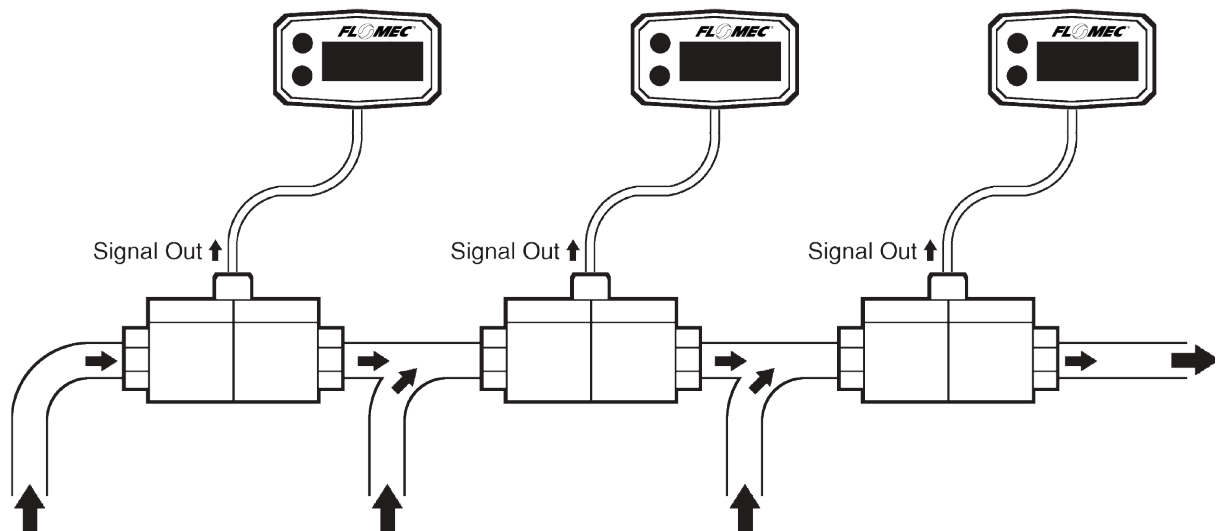
The distributor designed a test rig using several FLOMEC A1 meters to test hydraulic valves. FLOMEC A1 meters were perfect for the application because various flow rates were required. Multiple meters in the design made economy a consideration in choosing this FLOMEC meter.

### PROBLEM:

Measuring different flow rates in various stages of a test required multiple meters. Three meters were used in the designed test rig. Each meter was testing a different set of criteria in different stages.

### SOLUTION:

Chemical compatibility matched the criteria for the A1 aluminum meters. This was a cost effective choice. The selection of meter flow rates met the requirements for the test rig. Mounting the meters on the test board was easy and compact. The digital display was easy to read.



Wichita · Sydney · Mexico City

GREAT PLAINS INDUSTRIES



Great Plains Industries, Inc. / 888-996-3837 / [flomec.net](http://flomec.net)  
Great Plains Industries, Inc. Australia / +61 2 9540 4433 / [flomec.net](http://flomec.net)