



OM Series Application Sheet

Company Type: **Asphalt Manufacture**

Market: **Construction, Paving**

Application Category: **Monitoring**

Model Number: **OM006 and OM025**

ADVANTAGES OF USING FLOMEC™ METERS

- COST SAVINGS
- RELIABILITY IN OPERATION
- REMOTE OR LOCAL DISPLAY
- ACCURACY
- FITS SPECIALTY APPLICATIONS

APPLICATION:

Controlling fuel costs in a plant with multiple fuel oil burners, while maintaining asphalt at a proper temperature, is a big task. Plant managers require accurate records in monitoring, controlling and saving fuel consumption. Accurate and reliable measurement is critical.

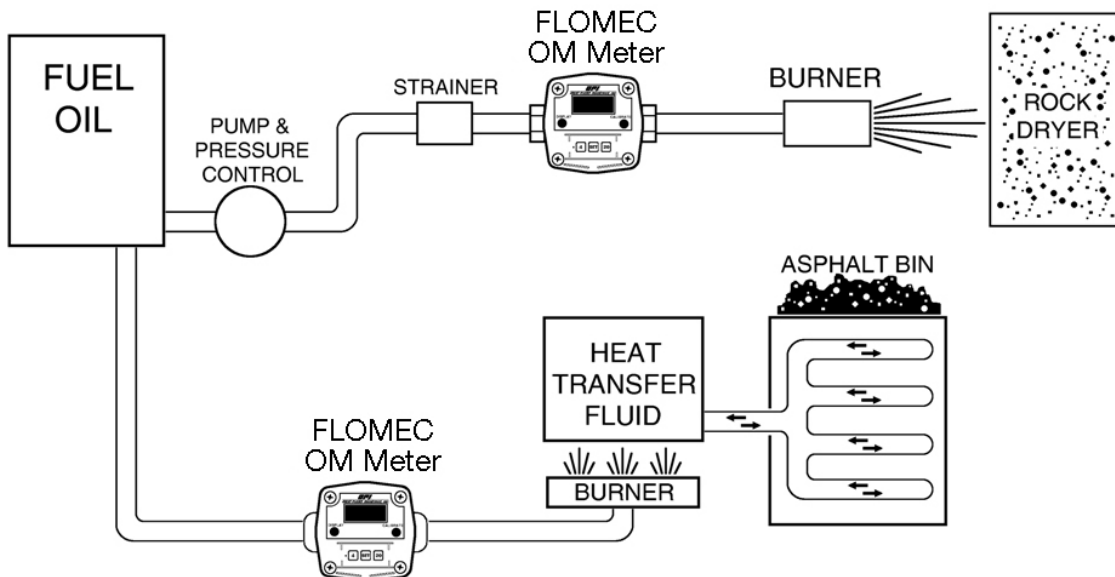
PROBLEM:

Monitoring and controlling fuel to maintain proper temperature, while saving fuel consumption, is critical. The task requires accurate and reliable measurement and display of fuel consumption at numerous locations. Inventory control and cost control need to be considered.

SOLUTION:

FLOMEC OM Series meters are reliable and accurate, as well as cost effective. The OM025 meter is installed between the fuel oil source and the burner measuring fuel used. The OM006 meter measures the heat transfer fluid in a separate line used for manufacturing asphalt. Both provide accuracy and Local display (by using the FLOMEC display).

ILLUSTRATED APPLICATION:



Wichita · Sydney · Mexico City

GREAT PLAINS INDUSTRIES

Great Plains Industries, Inc. / 888-996-3837 / GPI.net

Great Plains Industries, Inc. -Australia / +61 2 9540 4433 / flomec.com.au