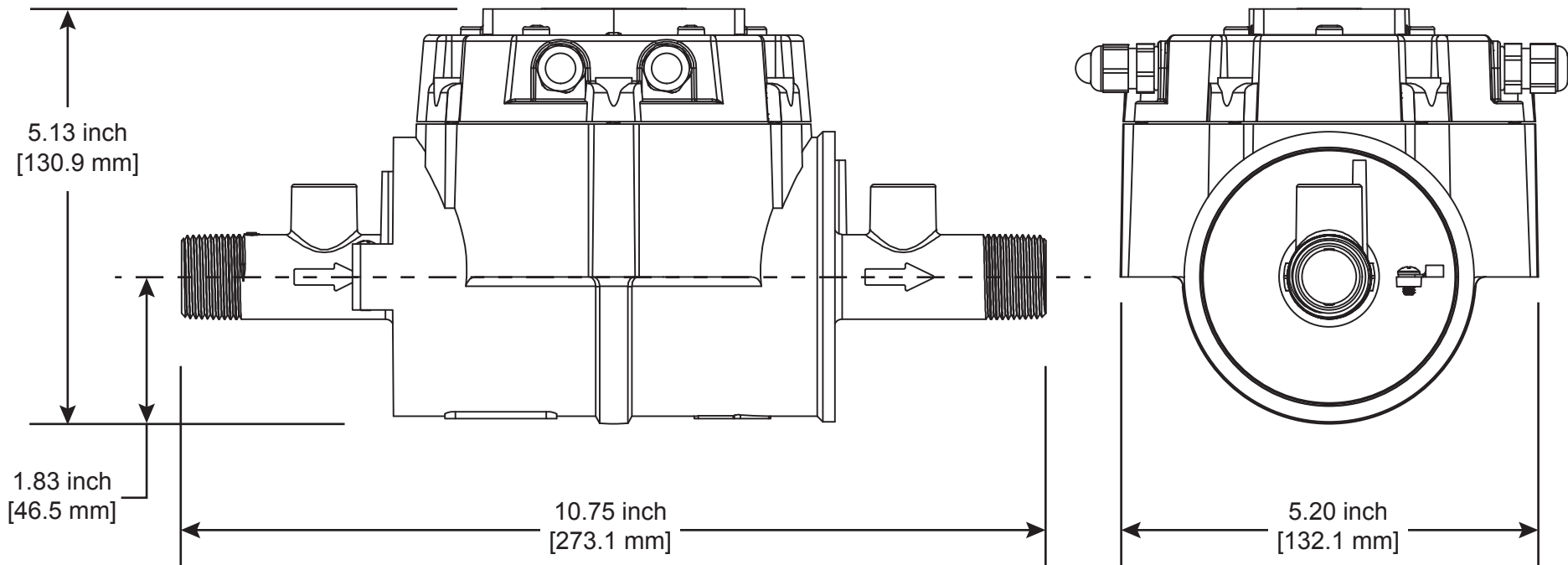
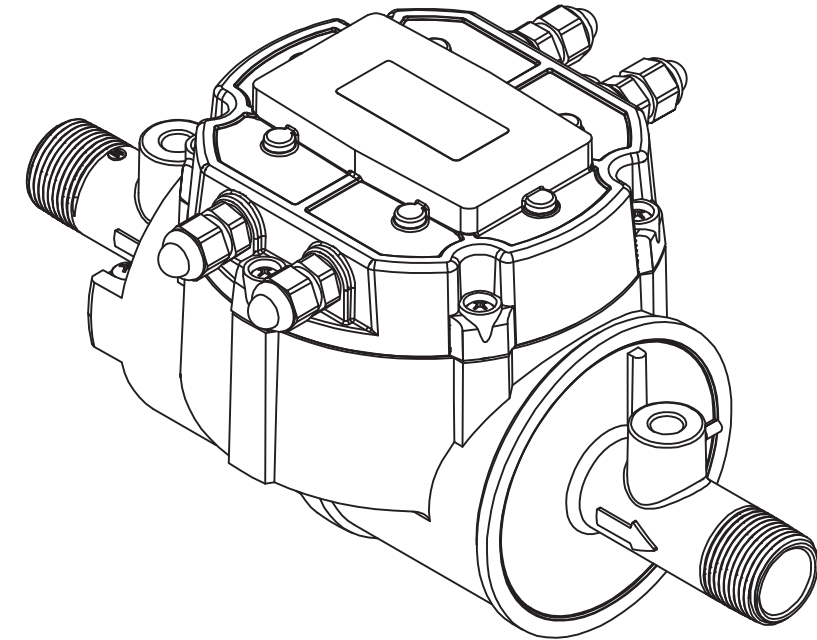
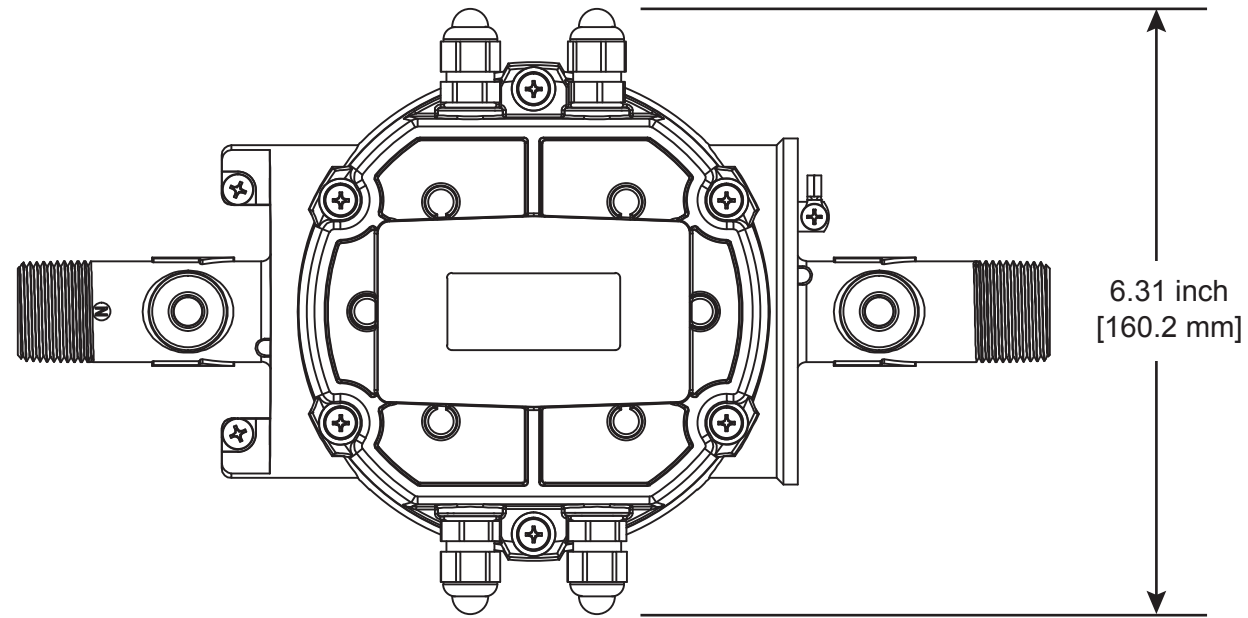


FLAMEC®



SPECIFICATIONS

Display:	Blind	
Fitting Size:	3/4 inch	
Fitting Type:	NPT Male	
Flow Range:		
Velocity - 0.25 to 15 FPS	0.3 - 20 GPM	1.13 - 76 L/m
Accuracy (% of Reading):		
± 2.0%	0.3 - 1.2 GPM	0.56 - 4.54 L/m
± 0.5%	1.21 - 20 GPM	4.55 - 76 L/m
Typical K-Factor	1,937 PPG	511.8 PPL

QSE MAG METER - QSE07NPTQB

Wichita · Sydney · Mexico City

GREAT PLAINS INDUSTRIES 

Great Plains Industries, Inc. / 888-996-3837 / flomec.net
Great Plains Industries, Inc. Australia / +61 2 9540 4433 / flomec.net