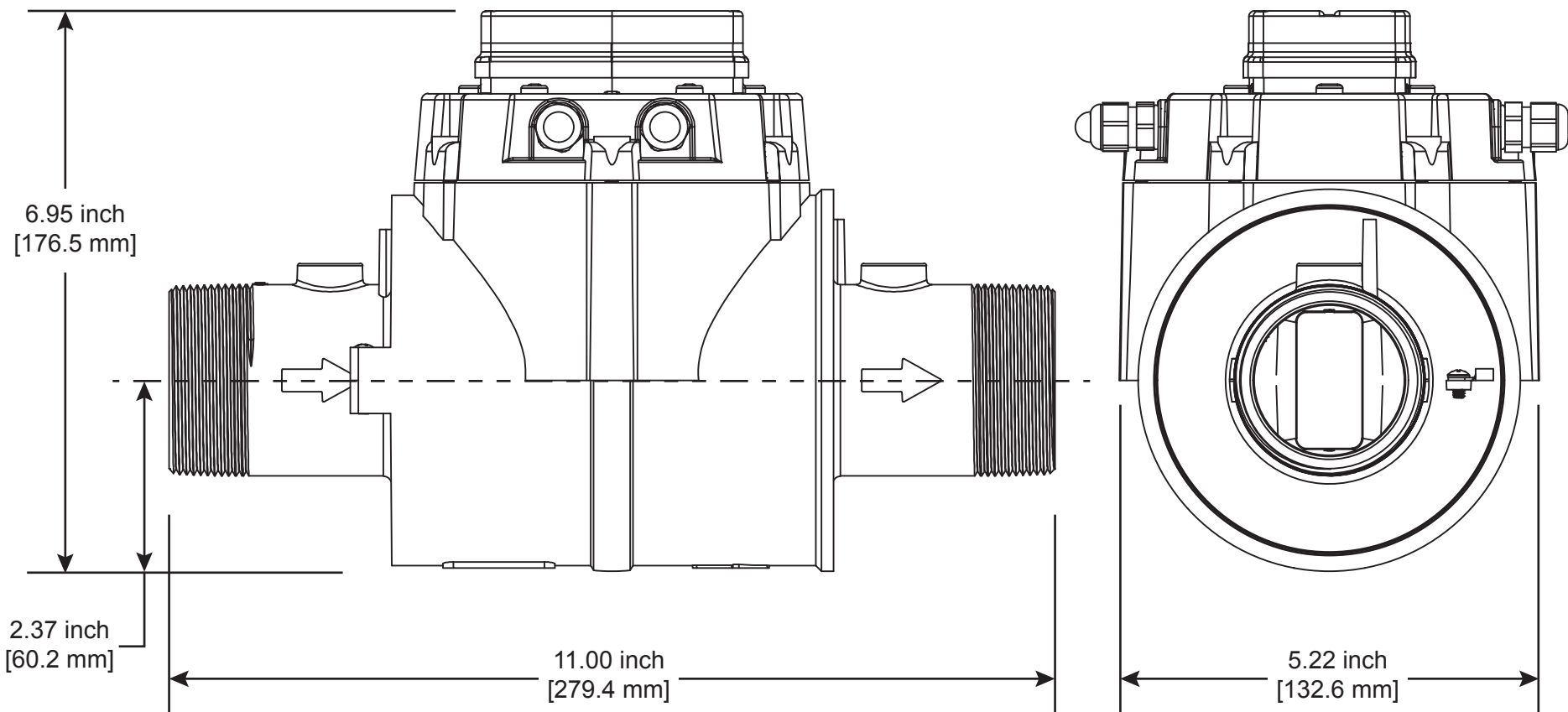
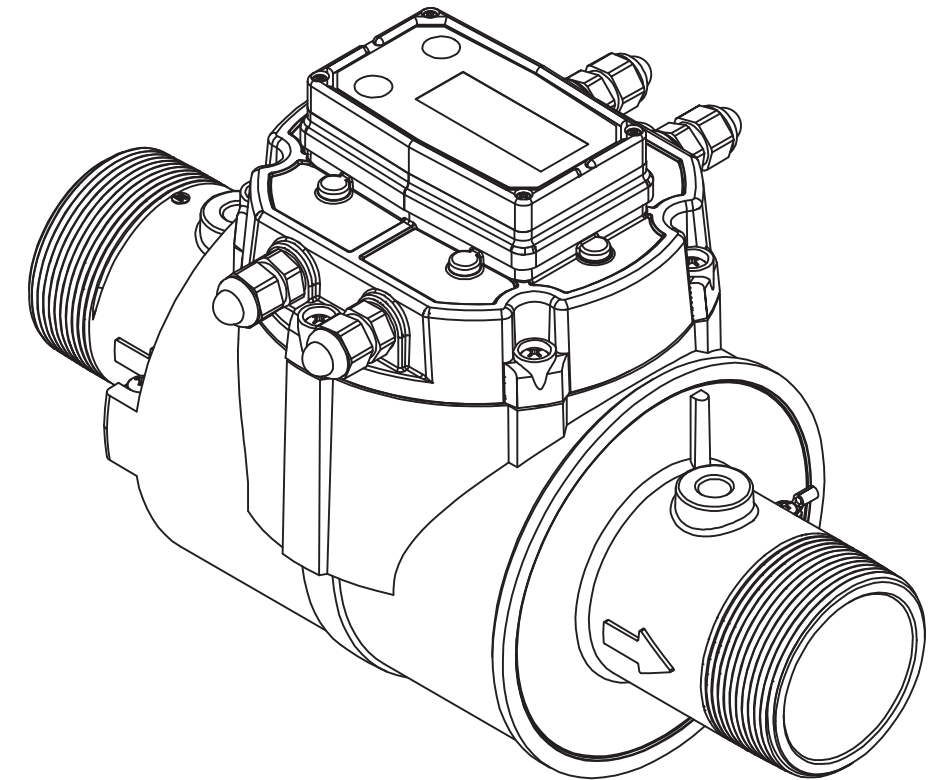
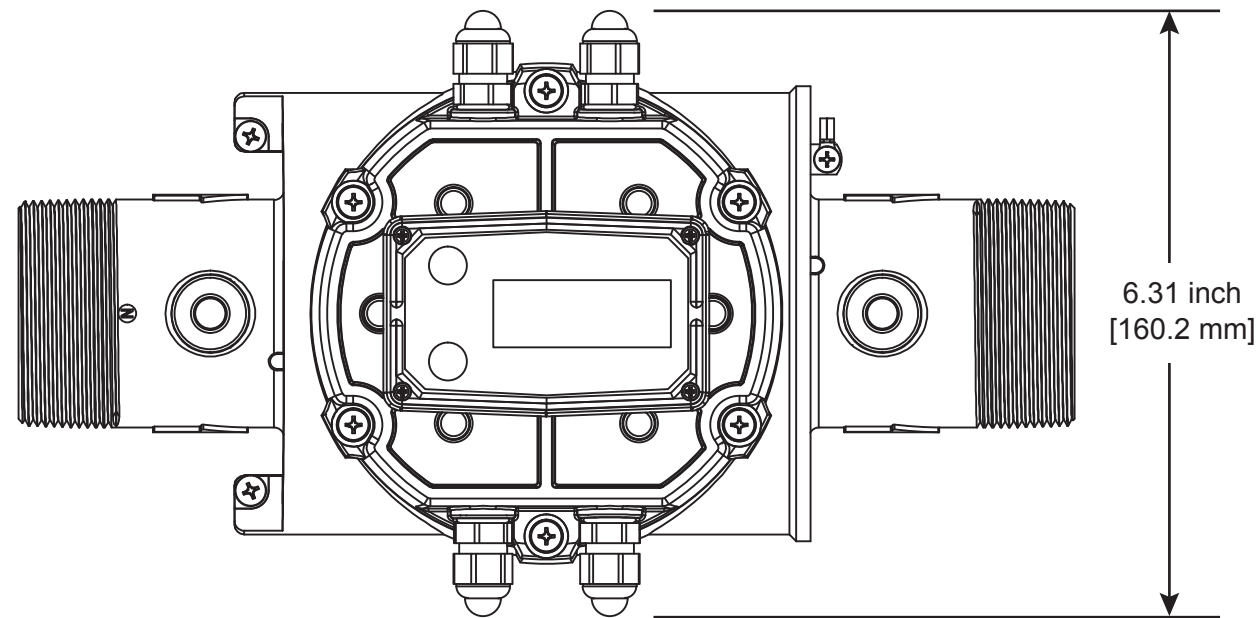


FLOMEC[®]



SPECIFICATIONS

Display:	09 Computer	
Fitting Size:	2 inch	
Fitting Type:	NPT Male	
Flow Range:		
Velocity - 0.25 to 15 FPS	2.25 - 150 GPM	8.5 - 568 L/m
Accuracy (% of Reading):		
± 2.0%	1.2 - 9.0 GPM	8.5 - 34.07 L/m
± 0.5%	9.01 - 150 GPM	34.08 - 568 L/m
Typical K-Factor	400 PPG	105.7 PPL

QSE MAG METER - QSE20NPT09

Wichita · Sydney · Mexico City



Great Plains Industries, Inc. / 888-996-3837 / flomec.net
Great Plains Industries, Inc. Australia / +61 2 9540 4433 / flomec.net