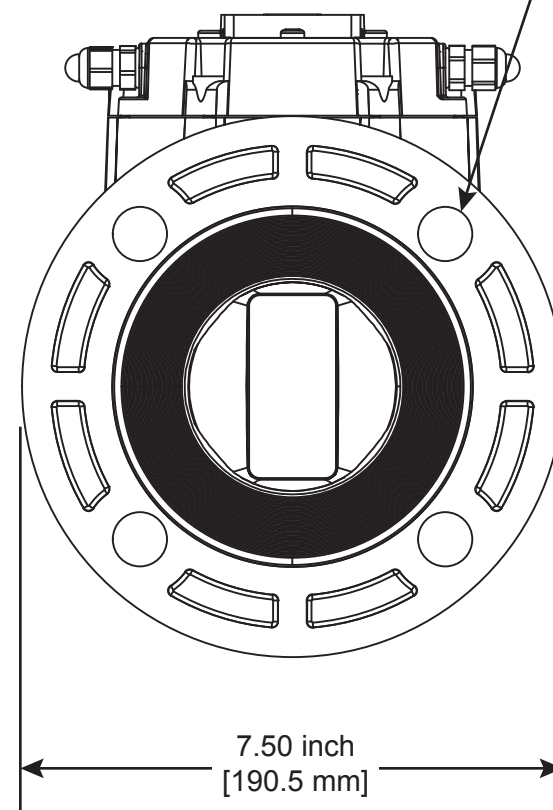
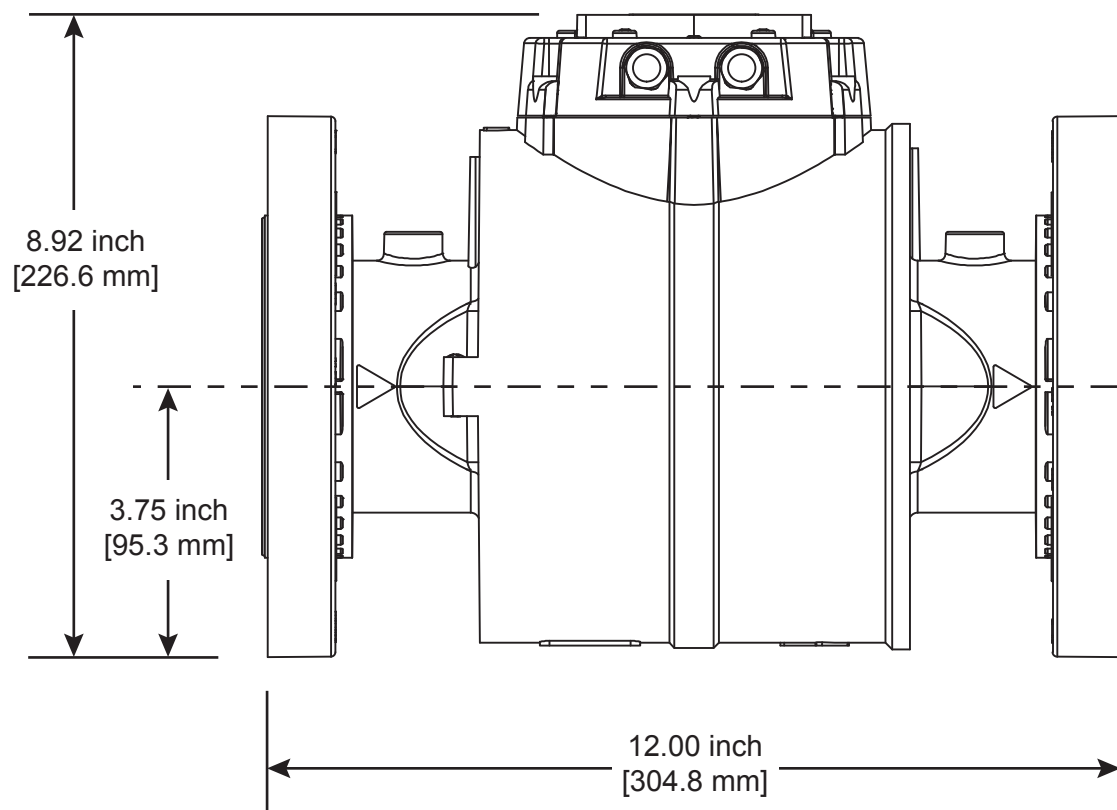


Torque bolts using star pattern,  
to 25 ft-lbs (33.9 N•m)

Ø 0.75 inch, TYP. x 8  
(See Bolt Torque Pattern)



### SPECIFICATIONS

Display:	Blind	
Fitting Size:	3 inch	
Fitting Type:	ANSI, Polymer Flange	
Flow Range:		
Velocity - 0.25 to 15 FPS	4.5 - 300 GPM	17 - 1136 L/m
Accuracy (% of Reading):		
± 2.0%	4.5 - 18.0 GPM	17 - 68.14 L/m
± 0.5%	18.01 - 300 GPM	68.15 - 1136 L/m
Typical K-Factor	400 PPG	32.10 PPL

### QSE MAG METER - QSE30FAPQB

Wichita · Sydney · Mexico City

GREAT PLAINS INDUSTRIES



Great Plains Industries, Inc. / 888-996-3837 / flomec.net  
Great Plains Industries, Inc. Australia / +61 2 9540 4433 / flomec.net