



## 02 SERIES ELECTRONIC FLOWMETER WITH SCALED PULSE OUTPUT

The FLOMEC® 02 Series is a lightweight, accurate and reliable turbine meter. Choose the 02 Series for thin viscosity fluid applications.

- Available in Aluminum or Nylon
- Virtually maintenance free
- Display powered by two AAA batteries
- Offers one pulse per unit (gallons and litres)

## FEATURES / BENEFITS

- Complete meter, including turbine assembly, microprocessor and LCD readout.
- Two Totals: Batch (Resettable to measure flow during a single use) and Cumulative (Non-resettable, to provide continuous measurement).
- Remote monitor option to connect to an external system (NPN Open Collector Pulse)
- Lightweight, compact design allows for easy installation.
- Display powered by two AAA alkaline batteries that are easy to replace, with the meter installed.

## APPLICATIONS

- Irrigation
- Building Automation (Chillers)
- Programmable Logic Controller (Batch Control)
- OEM (connect to flow switch - low cost meter)
- Connect to flow switch
- Diesel & Fuel Oil
- Data Logger
- Wireless Communication
- Numerous water applications
- Batch Controller

## PRODUCT CONFIGURATION

### PRODUCT IDENTIFIER **1**

**02** = Electronic Digital Flowmeter

### HOUSING CHOICE **2**

**A** = Aluminum  
**N** = Nylon

### FITTING TYPE **3**

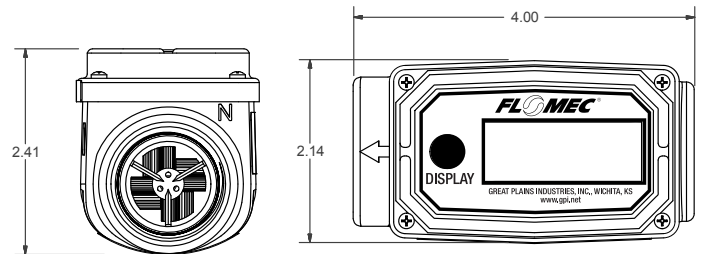
**12** = 1 inch BSPT (Female)  
**31** = 1 inch NPT (Female)  
**52** = 1 inch BSPP (Female)  
**X** = No Turbine

### CALIBRATION **4**

**GM** = Gallons / Minute  
**LM** = Litres / Minute  
**XX** = No Computer

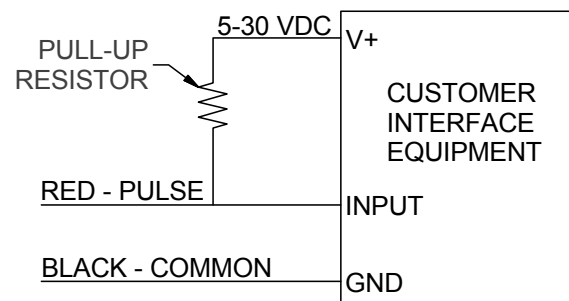
**1 2 3 4**  
--->>> **02 + N + 31 + GM = SAMPLE**

## DIMENSIONS



## INTERNAL PULL-UP RESISTOR

Some interface devices may not have an internal pull-up resistor. Use a minimum 820 ohms resistor if necessary.



## SPECIFICATIONS

Fitting Size / Fitting Type:	1 inch / BSPT (Female)	
	1 inch / NPT (Female)	
	1 inch / BSPP (Female)	
Flowrate:	3 - 30 GPM	11 - 113 LPM
Accuracy (% of Reading):	± 5.0%	
Pressure Rating:	150 PSIG / 10.3 BAR	
Operating Temperature Range:	+14° F to +130° F (-10° C to +55° C)	
Pulse Out Description:	Open Collector (a.k.a. NPN or Current Sinking)	
Pulse Duration:	250 msec	
Pulse Amplitude:	5 to 30 VDC	
Scaling:	One pulse per Gallon or Litre	
Cable Length:	5 ft. / 1.5 meters	

Wetted Materials (Aluminum):	Housing:	Aluminum
	Bearings:	Ceramic
	Shaft:	Tungsten Carbide
	Rotor:	Nylon
	Rings:	316 Stainless Steel
	Signal Generator	Ferrite
Wetted Materials (Nylon):	Housing:	Nylon
	Bearings:	Ceramic
	Shaft:	Tungsten Carbide
	Rotor:	Nylon
	Rings:	316 Stainless Steel
	Signal Generator	Ferrite

## APPROVALS



**Service & Warranty:** For technical assistance, warranty replacement or repair contact your **FLOMEC™** or **GPI®** distributor: In North or South America: **888-996-3837 / GPI.net**  
Outside North or South America: **+61 2 9540 4433 / flomec.com.au**